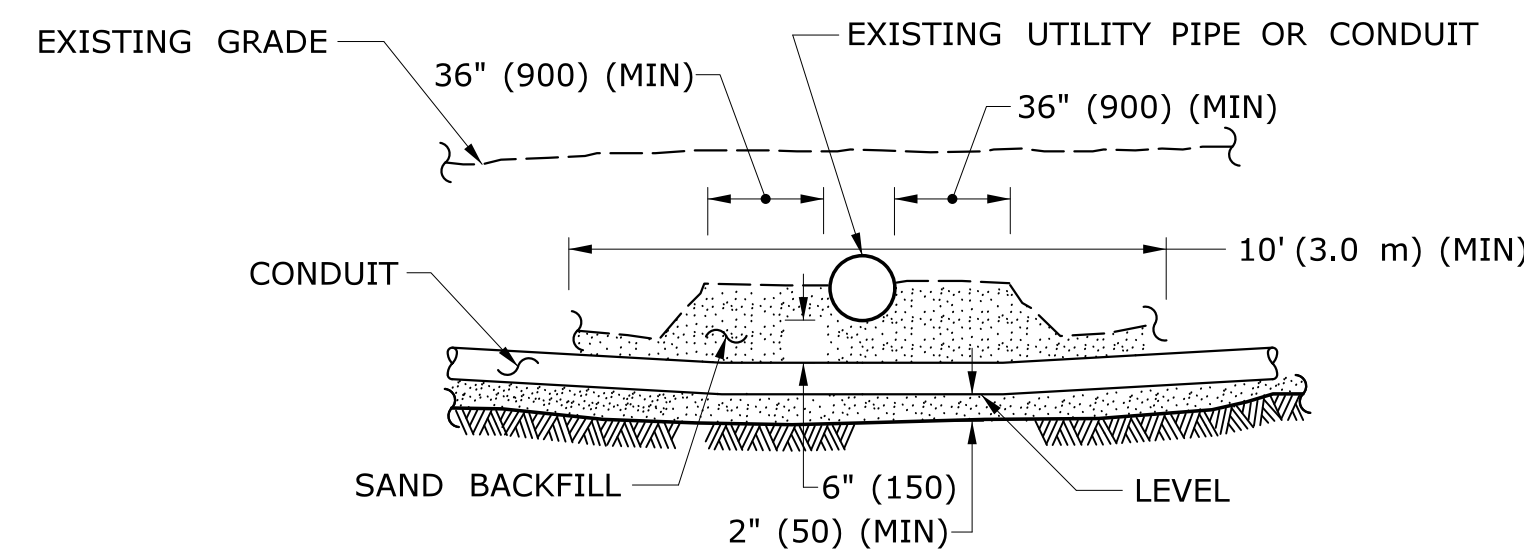


INTERCONNECT TYPICAL CURB CROSSING

NOTES:

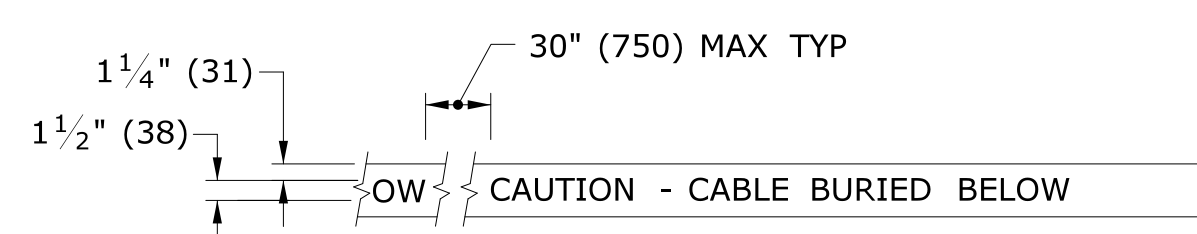
- RESTORE AREAS DISTURBED BY TRENCH TO ORIGINAL CONDITION.
- INSTALL PULL BOX A MINIMUM OF 10' (3.0 m) FROM CURB UNLESS OTHERWISE SHOWN ON PLANS OR DIRECTED BY ENGINEER.



CROSSING UNDER EXISTING UTILITY

NOTES:

- WHEN ENCOUNTERED AT APPROXIMATELY THE SAME DEPTH, CROSS BENEATH.
- PROTECT & SUPPORT EXPOSED EXISTING UTILITY.



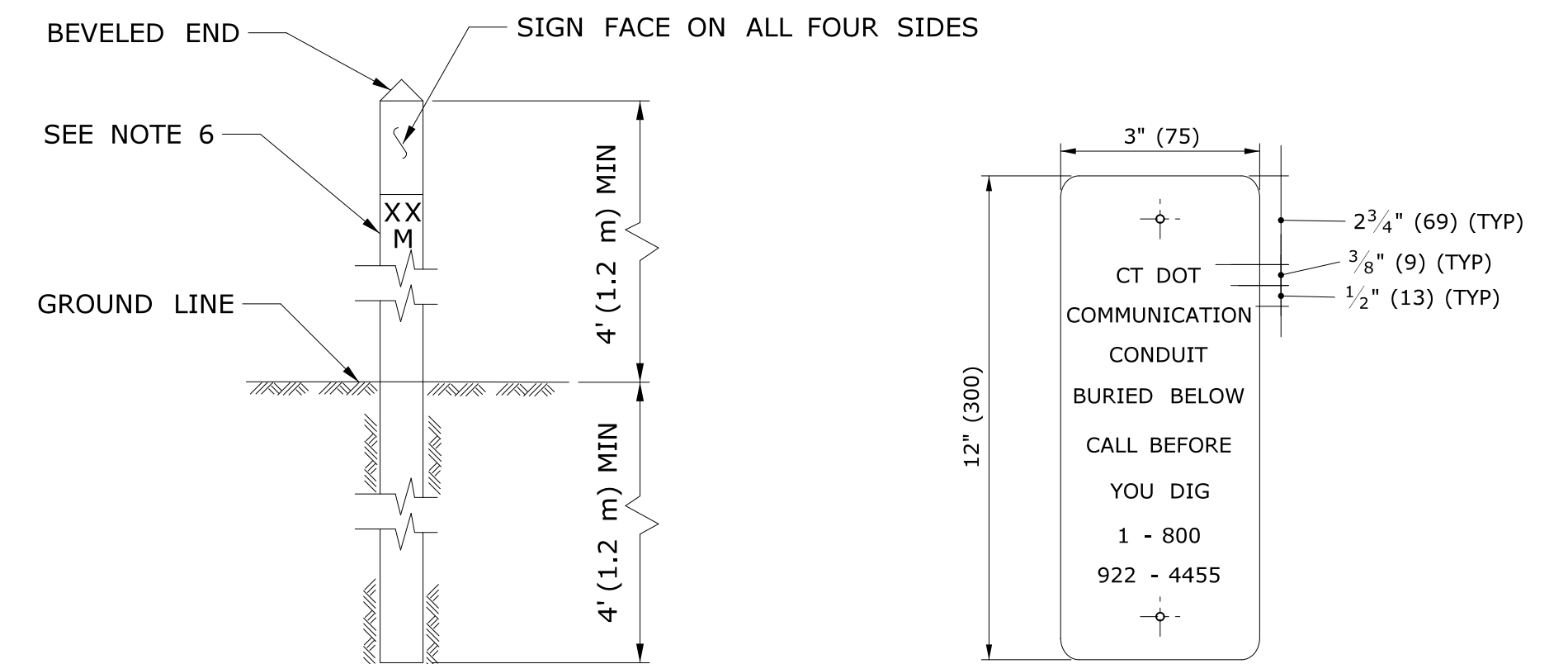
DETECTABLE WARNING TAPE

NOTE:

STANDARD SPECIFICATIONS, ARTICLE: 1.05.15

1. TAPE COLORS:

- COMMUNICATION - ORANGE BACKGROUND / BLACK LEGEND
- POWER - RED BACKGROUND / BLACK LEGEND

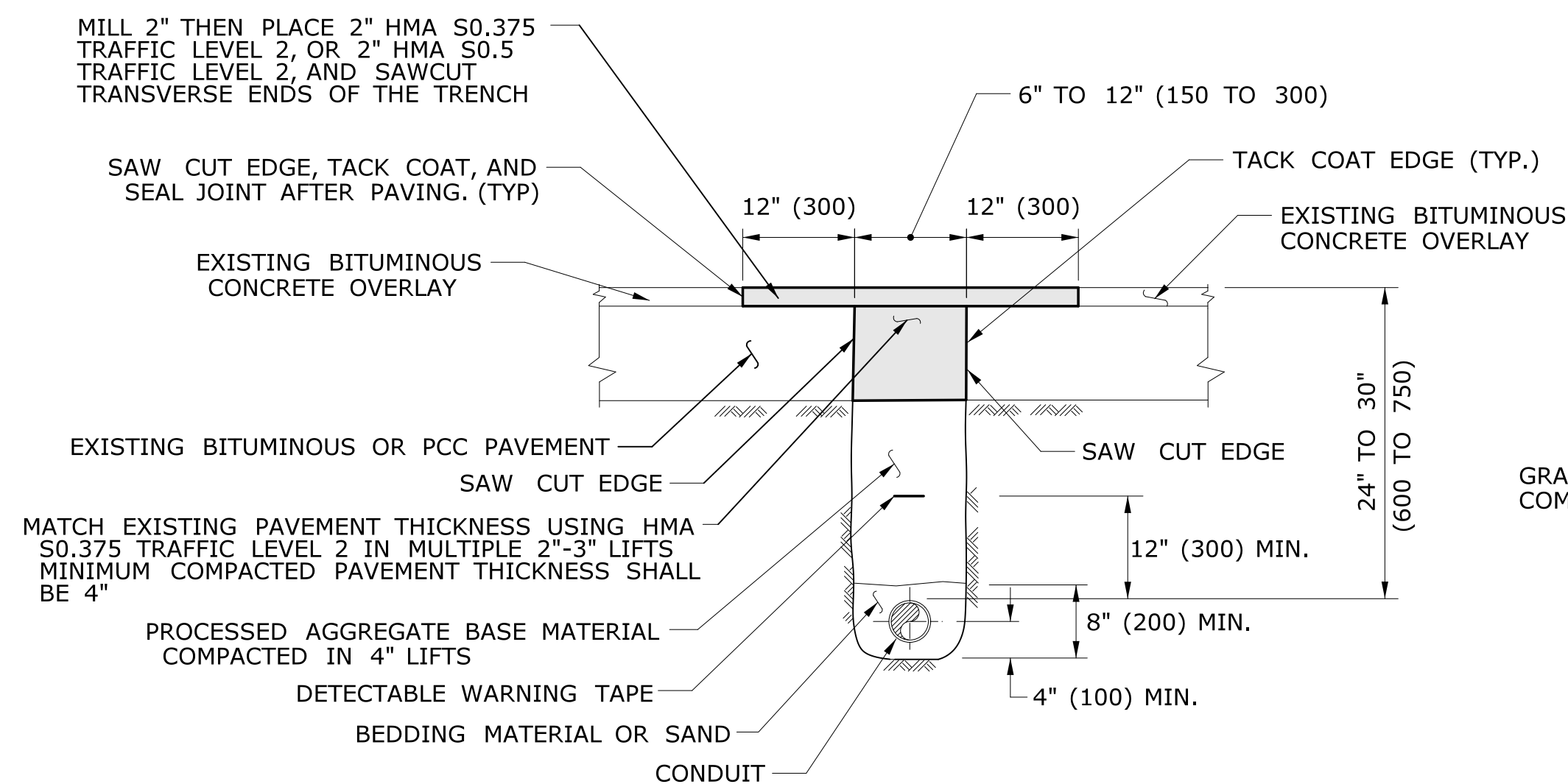


INTERCONNECT CONDUIT IDENTIFICATION POST

SIGN FACE DETAIL
SIGN # 41-4669

NOTES:

- 4" x 4" (100 x 100) NOMINAL, PRESSURE TREATED WOOD POST.
- ATTACH SIGN TO POST WITH 1/4" x 1 1/4" (6 x 31) STAINLESS STEEL LAG SCREW WITH NYLON WASHER ON FACE OF SIGN.
- SIGN COLORS: BACKGROUND - ORANGE (RETROREFLECTIVE) LEGEND - BLACK (OPAQUE).
- INSTALL POST APPROX 24" (600) FROM RMC IN VICINITY OF EACH PULL BOX.
- INSTALL POSTS BETWEEN PULL BOXES, APPROX 10' (3.0 m) OFF CURB. SPACE POSTS 1500± (460 m±) APART.
- PERMANENTLY ATTACH STAINLESS STEEL NUMBERS INDICATING DISTANCE TO TRENCH IN FEET (METERS) CONTAINING COMMUNICATION CABLE. ATTACH NUMBERS TO SIDE OF POST FACING CONDUIT. INCLUDE "M" SUFFIX IF METERS.

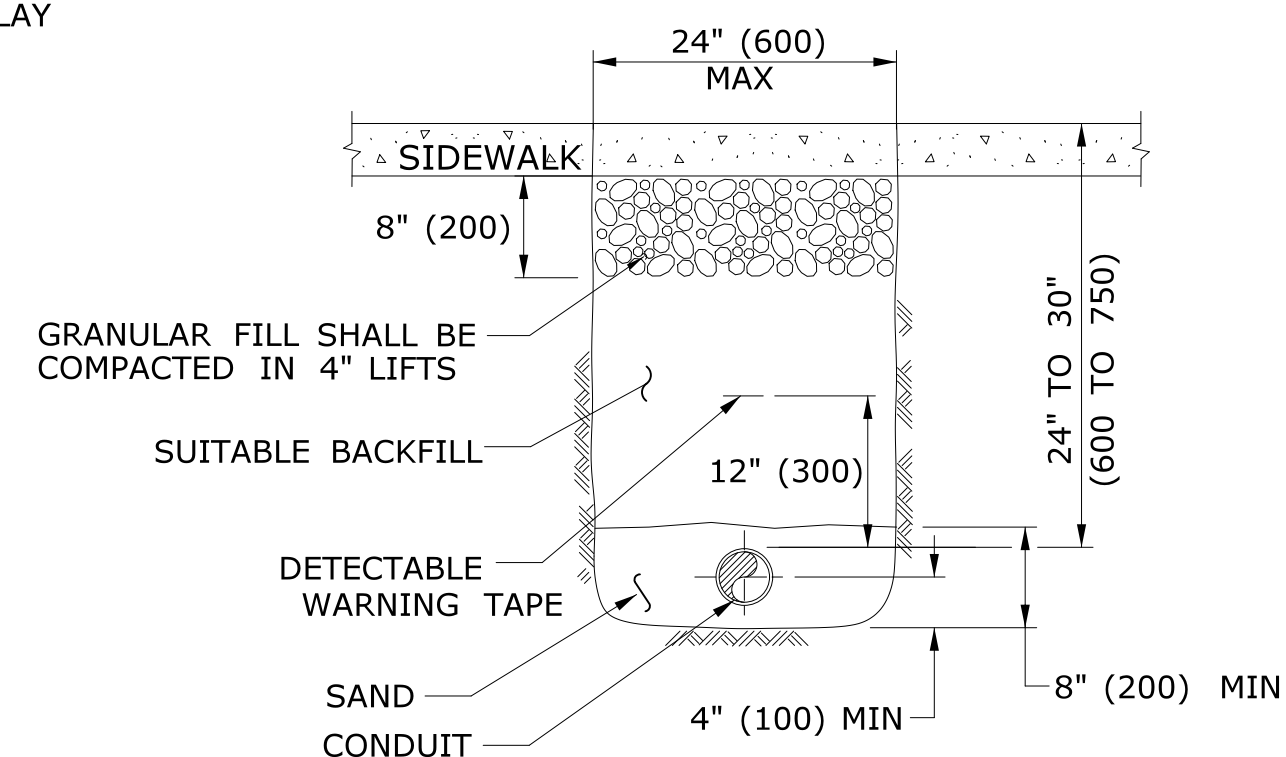


PAVEMENT - BITUMINOUS CONCRETE OR OVERLAYED PORTLAND CEMENT CONCRETE

NOTES:

STANDARD SPECIFICATION, ARTICLE 3.04 AND SPECIAL PROVISION, SECTION 4.06.03

- TOTAL HOT MIX ASPHALT (HMA) THICKNESS TO MATCH EXISTING BITUMINOUS CONCRETE AND PORTLAND CEMENT CONCRETE (PCC) THICKNESS.
- WHEN ALLOWED BY ENGINEER, USE CONTROLLED LOW STRENGTH MATERIAL (CLSM) AS BEDDING MATERIAL. TOP OF CLSM AT LEAST 20" (500) BELOW SURFACE.

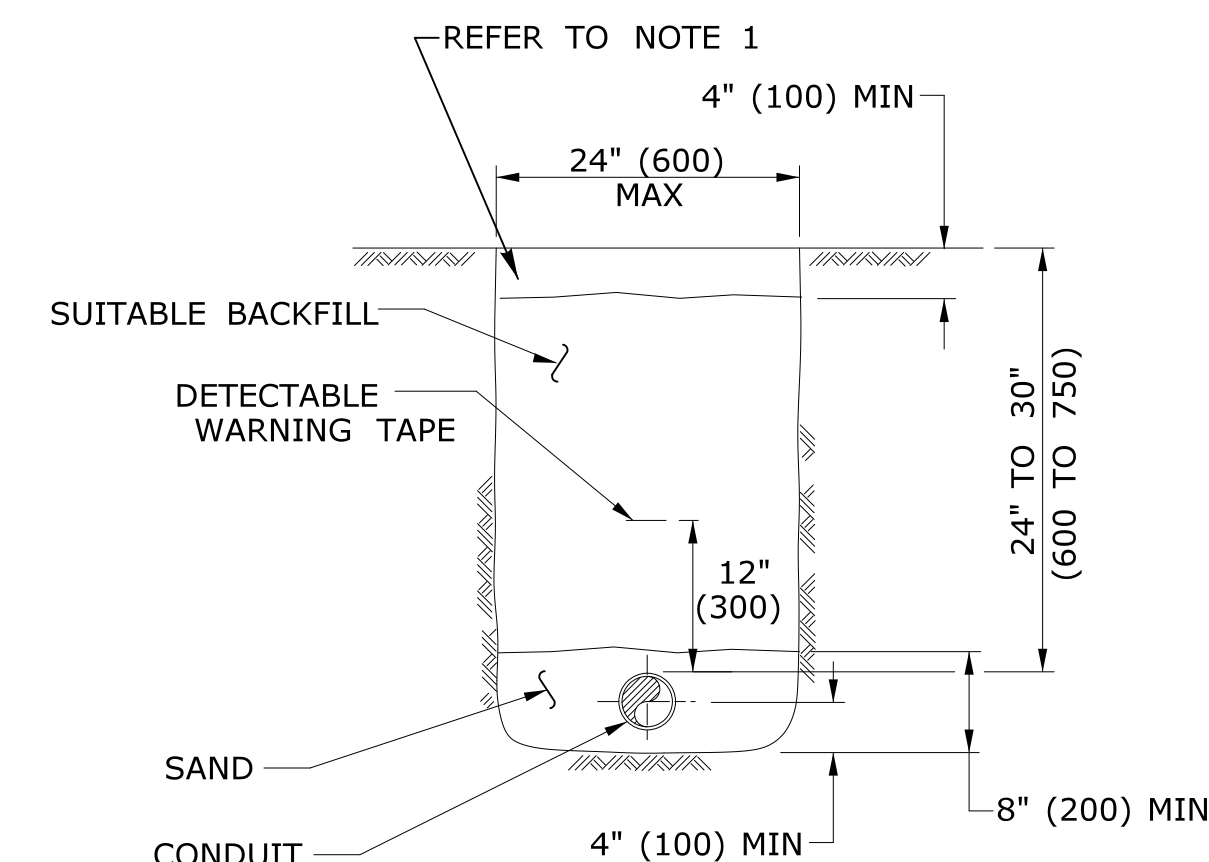


SIDEWALK

NOTES:

STANDARD SPECIFICATIONS, ARTICLE: 9.21 & 9.22

- WHERE CONCRETE SIDEWALK DAMAGED OR CUT, REPLACE THE ENTIRE SECTION BETWEEN JOINTS. REPLACEMENT SIDEWALK IS PAID FOR AT THE CONTRACT UNIT PRICE FOR "CONCRETE SIDEWALK".



EARTH

NOTES:

STANDARD SPECIFICATIONS, ARTICLE: 9.50

- IN MOWED AREAS: PLACE TOPSOIL, FERTILIZER, SEED, & MULCH.

GENERAL NOTES:

- TOP OF CONDUIT NO LESS THAN 24" (600) DEEP.
- COMPACT BACKFILL IN ≤ 6" (150) LIFTS. HAND COMPACTION NOT PERMITTED.

LEGEND AS SHOWN ON TRAFFIC CONTROL SIGNAL PLAN:
--- RMC (RIGID METAL CONDUIT)

2	4-2019	REVISED FILL & OVERLAY REQUIREMENTS, & MINOR REVISIONS	DESIGNER/DRAFTER:	<p>STATE OF CONNECTICUT DEPARTMENT OF TRANSPORTATION</p>	<p>SIGNATURE/BLOCK:</p> <p>OFFICE OF ENGINEERING</p> <p>APPROVED BY: DATE:</p>	PROJECT TITLE:	TOWN:	PROJECT NO.
1	4-2012	REVISED BITUMINOUS CONCRETE TO HMA, & MINOR REVISIONS.	CHECKED BY:				NO SCALE	DATE:
REV.	DATE	REVISION DESCRIPTION	Plotted Date: 7/1/2019	Filename: GS_TRENCHING & BACKFILLING.DGN Model: GS_TRENCHING AND BACKFILLING			TRENCHING & BACKFILLING, ELECTRICAL CONDUIT	SHEET NO.