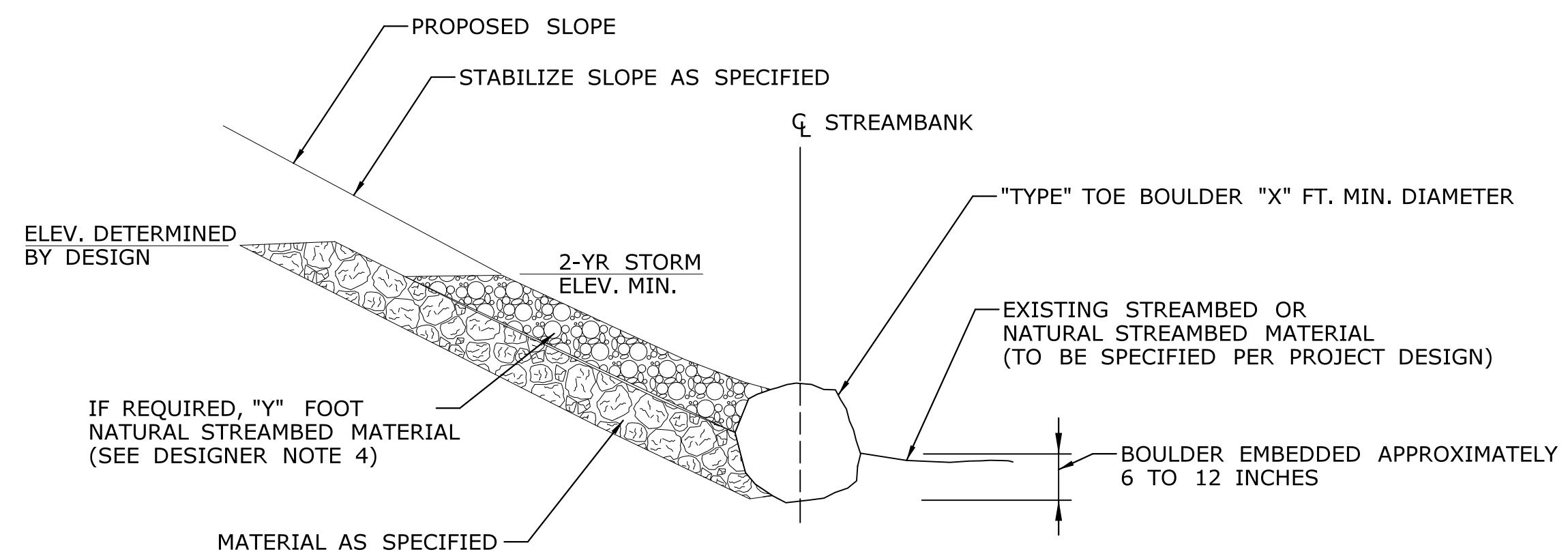
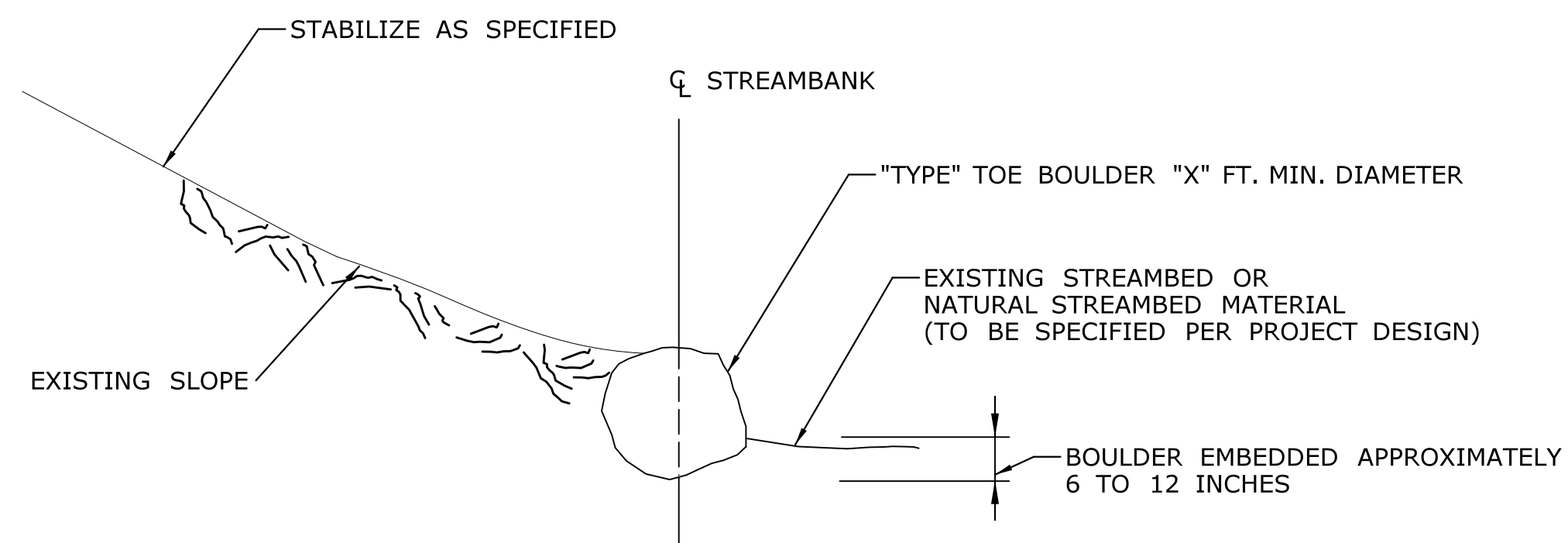


**TOE BOULDERS AT STRUCTURE**  
N.T.S.



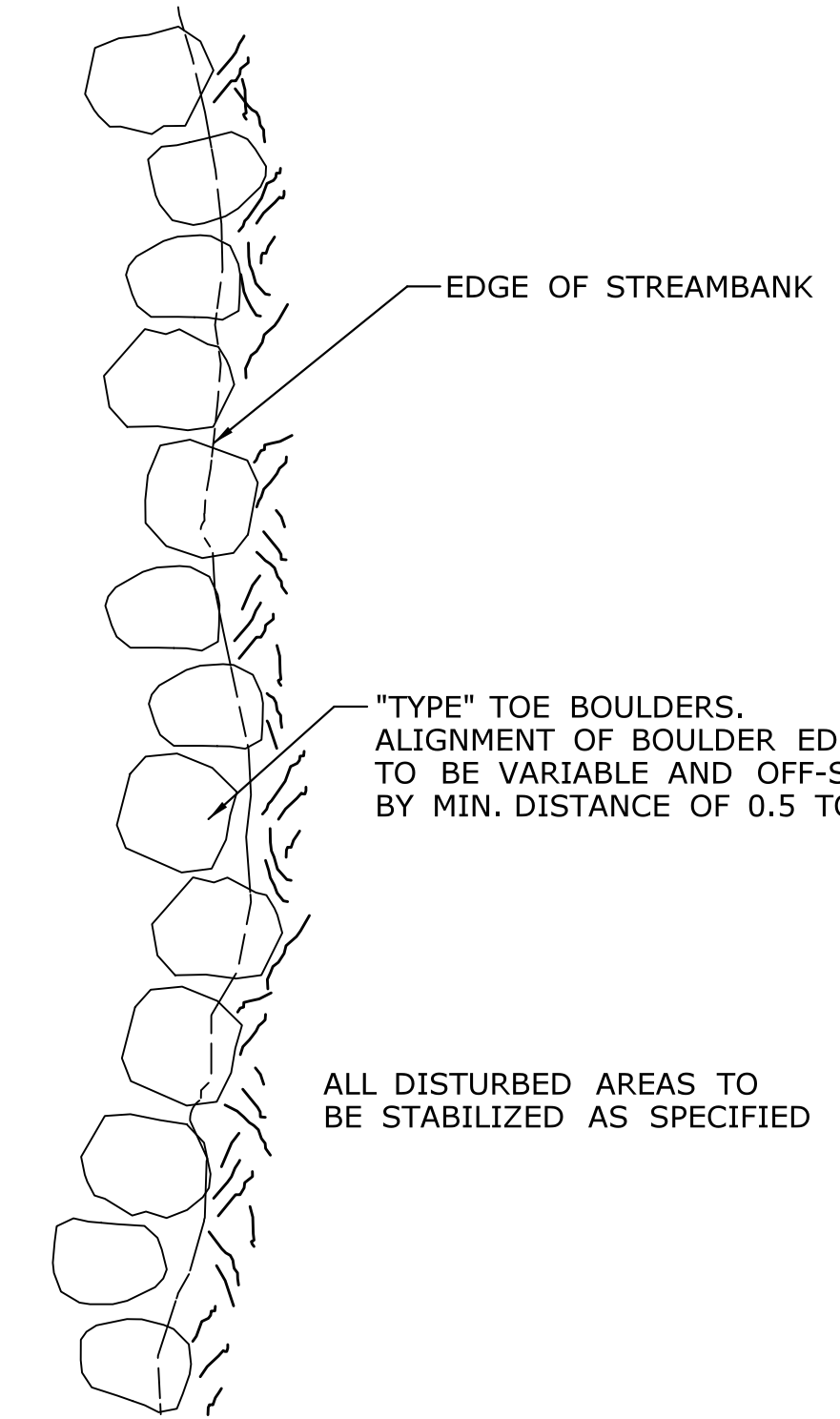
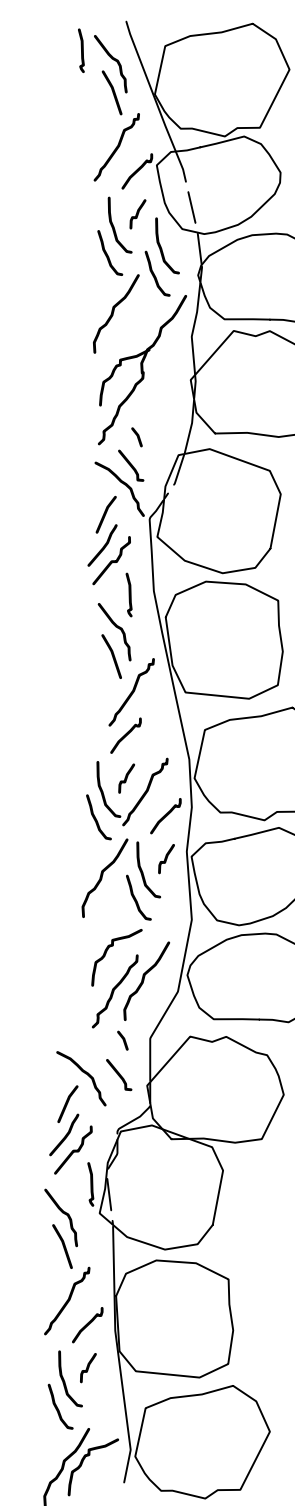
**TOE BOULDERS FOR PROPOSED EMBANKMENT STABILIZATION**  
N.T.S.



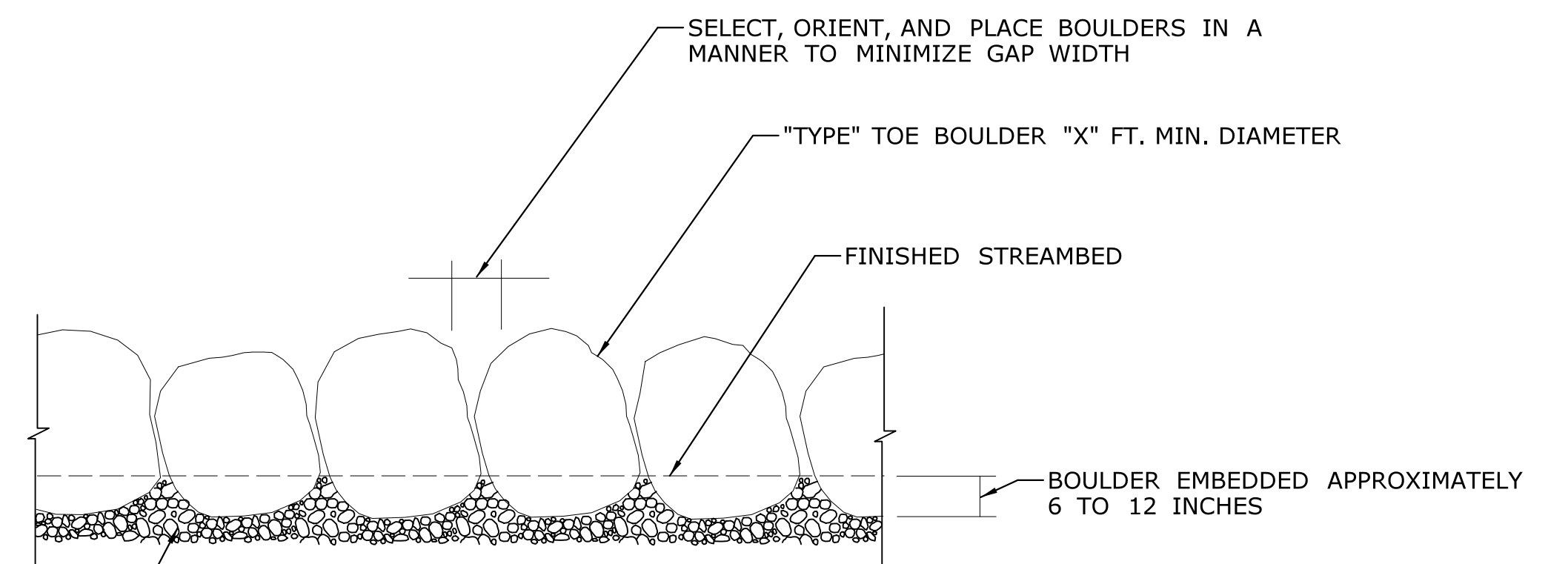
**TOE BOULDERS AT EXISTING EMBANKMENT**  
N.T.S.

**NOTES TO DESIGNER:**

1. REFER TO PROJECT SPECIFIC DEEP FISHERIES COMMENTS FOR FURTHER DIRECTION AND RECOMMENDATION ON THE FISHERIES ENHANCEMENT(S)
2. BOULDER SIZE TO BE SPECIFIED IN THE DETAIL. REPLACE "X" WITH THE BOULDER SIZE AS SPECIFIED BY DEEP FISHERIES OR OFFICE OF ENVIRONMENTAL PLANNING (OEP)
3. BOULDER TYPE TO BE SPECIFIED IN THE DETAIL PER DEEP FISHERIES COMMENTS OR OEP RECOMMENDATION. REPLACE "TYPE" WITH ANGULAR OR ROUNDED
4. TYPE AND DEPTH OF MATERIAL PLACED FOR SLOPES WILL BE PROJECT SPECIFIC AND BASED ON PROJECT DESIGN AND NEED. THE MATERIAL SHOULD BE IDENTIFIED IN THE DETAIL
5. THE DETAILS SHOWN ARE GENERIC/DRAFT AND ARE TO BE USED AS A GUIDE IN DEVELOPING THE FINAL DETAIL FOR THE PROJECT. THE FINAL DETAIL WILL BE PROJECT SPECIFIC AND THE DETAIL SHOULD INCLUDE ANY NECESSARY INFORMATION FOR TOE BOULDER INSTALLATION BASED ON PROJECT DESIGN
6. ALL WORK ASSOCIATED WITH THE PLACEMENT OF TOE BOULDERS TO BE PAID FOR UNDER "PLACEMENT OF TOE BOULDERS." EXISTING OR NATURAL STREAMBED MATERIAL TO BE PAID FOR UNDER SPECIAL PROVISION "EXCAVATION AND REUSE OF EXISTING CHANNEL BOTTOM MATERIAL", AND, IF SPECIFIED, "SUPPLEMENTAL STREAMBED CHANNEL MATERIAL"
7. BOULDERS SHALL BE PLACED WITHIN THE DEPARTMENT'S RIGHT-OF-WAY OR EASEMENT



**TOE BOULDERS PLAN VIEW**  
N.T.S.



**TOE BOULDERS PROFILE VIEW**  
N.T.S.

**NOTE**

PLACEMENT OF THE TOE BOULDERS SHALL BE DIRECTED IN THE FIELD BY THE ENGINEER OR THEIR AUTHORIZED DELEGATE. SEE SPECIAL PROVISION "PLACEMENT OF TOE BOULDERS"

DESIGNER/DRAFTER: -		<p><b>STATE OF CONNECTICUT</b> <b>DEPARTMENT OF TRANSPORTATION</b></p>	SIGNATURE/BLOCK: -	PROJECT TITLE: <b>PLACEMENT OF TOE BOULDERS</b>	TOWN: -	PROJECT NO. -
CHECKED BY: -			APPROVED BY: -	OFFICE OF ENGINEERING	DRAWING TITLE: <b>DETAIL</b>	DRAWING NO. -
NOT TO SCALE		Filename: ...Toe Boulders\Toe Boulder.dgn			SHEET NO. -	SHEET NO. -
REV.	DATE	REVISION DESCRIPTION	SHEET NO.	Plotted Date: 2/13/2018		