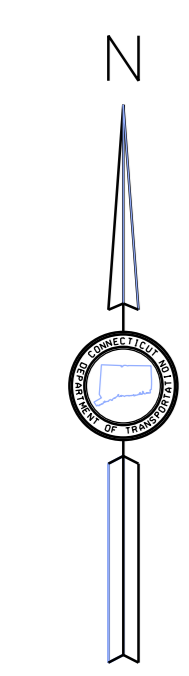


FUNCTIONAL CLASSIFICATION LEGEND

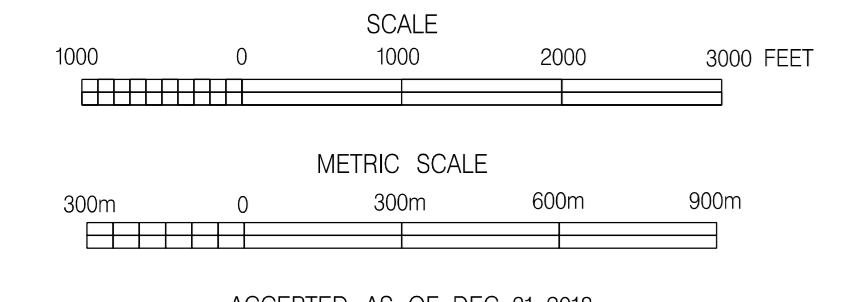
URBANIZED AREA	
Principal Arterial	
- Interstate	Blue line
- Other Expwy	Brown line
- Other	Red line
Minor Arterial	Green line
Collector	Purple line
Local	Black line
RURAL AREA	
Principal Arterial	
- Interstate	Blue line
- Other Expwy	Brown line
- Other	Red line
Minor Arterial	Green line
Major Collector	Purple line
Minor Collector	Yellow line
Local	Black line
UPDATED: 5/17/2009	



This map developed for internal
 Connecticut use is a cartographic
 rendering of DOT roadway records.
 It should not be referenced or
 incorporated in any manner in
 any legal document or proceedings.

**MIDDLETOWN
 CONNECTICUT**

PREPARED BY THE
 CONNECTICUT DEPARTMENT OF TRANSPORTATION
 IN COOPERATION WITH THE
 U.S. DEPARTMENT OF TRANSPORTATION
 FEDERAL HIGHWAY ADMINISTRATION



ACCEPTED AS OF DEC. 31, 2008