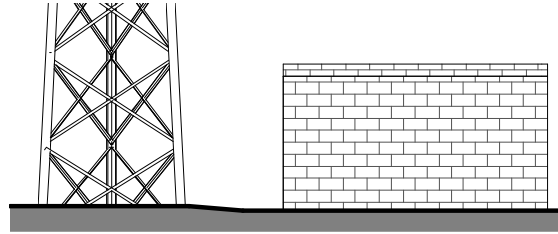


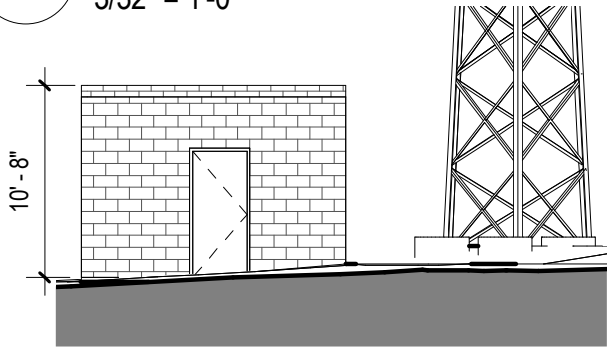
EQUIP. SHELTER SOUTH ELEV.

2
3/32" = 1'-0"



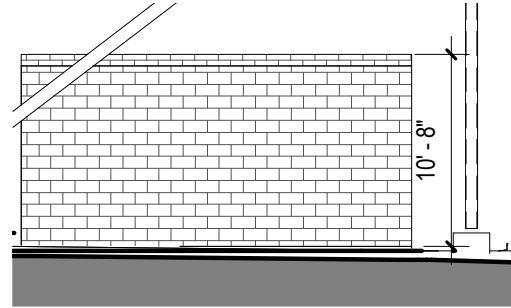
EQUIP. SHELTER WEST ELEV.

4
3/32" = 1'-0"



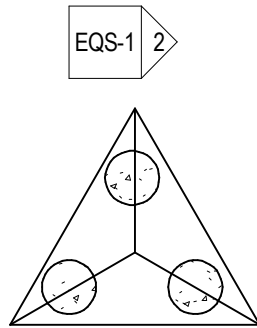
EQUIP. SHELTER EAST ELEV.

3
3/32" = 1'-0"



EQUIP. SHELTER NORTH ELEV.

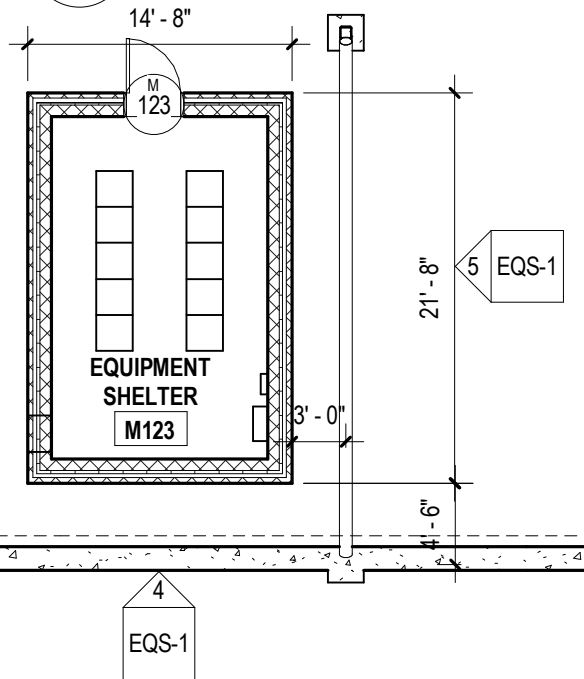
5
3/32" = 1'-0"



EQUIP. SHELTER PLAN

M123

1
3/32" = 1'-0"



The
S / L / A / M
Collaborative
Glastonbury, CT
Tel. 860 657-8077
Fax 860 657-3141

EQUIPMENT SHELTER M123
THE UNITED ILLUMINATING COMPANY
CENTRAL FACILITY PROJECT
ORANGE, CT

Scale:
3/32" = 1'-0"
Reference:
Date:
05/07/10
Proj. No:
08230

Sketch No:
EQS-1
Inquiry No.
A-7803